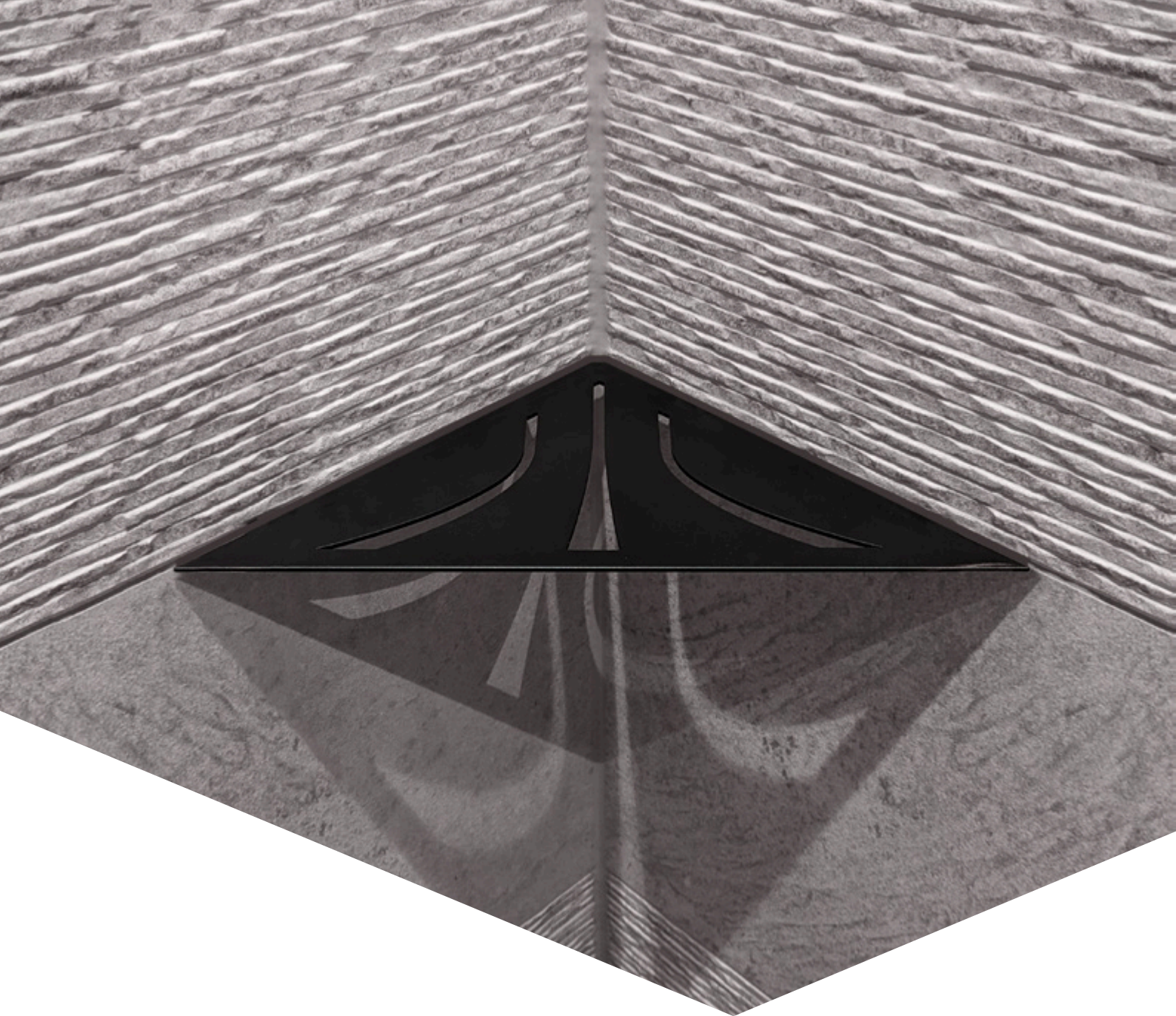




# SHELVES AND BUILT-IN NICHE

For the modern shower area





## BLANKE ECKBERT

The useful corner shelf for the shower

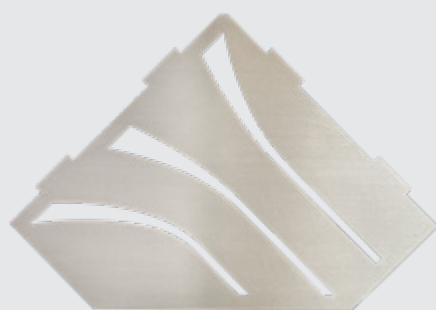
## BLANKE ECKBERT



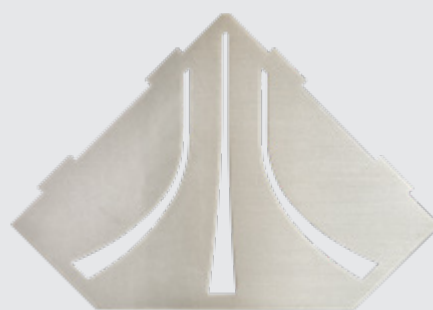
### ADVANTAGES AT A GLANCE

- > easy to clean
- > made of robust stainless steel
- > tool-free mounting without drilling
- > Can also be retrofitted

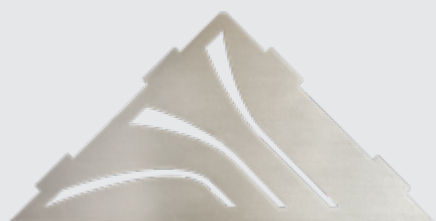
BLANKE ECKBERT is a useful corner shelf for your modern shower where shampoo and shower gel find their place. The corner shelf is made of sturdy stainless steel and is available in different geometries and provides tidiness in the shower, for example. Different structures and designs are cut out in the shelf surface to prevent standing water and makes the tray easier to clean and maintain. The shelf can be inserted subsequently into the groove without requiring any drilling.



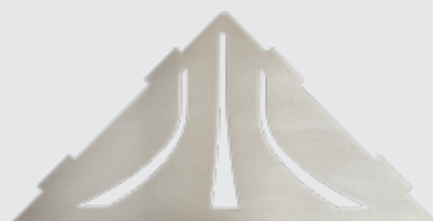
XL KASKA



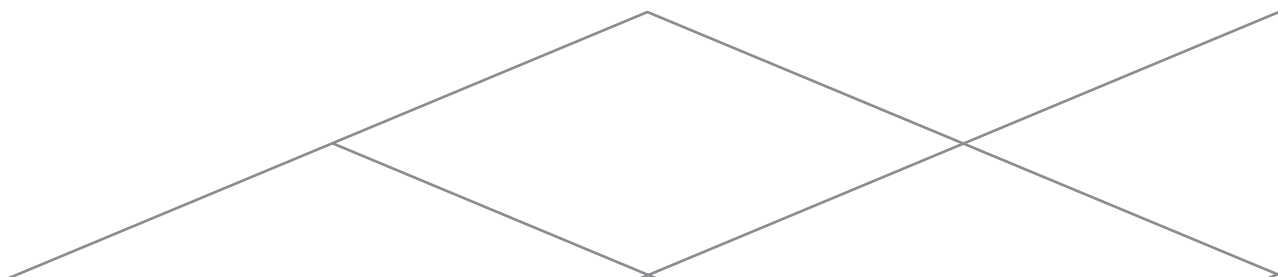
XL QUELL



KASKA



QUELL





# NEW YORK EDITION



Would you like to create a special look? Discover our BLANKE ECKBERT and many of our other products in the powder-coated colors of the BLANKE NEW YORK EDITION. This opens up exclusive new design possibilities. Match the Blanke products to your favorite tile. Design your bathroom elegantly tone-in-tone or set exciting accents. Ask us about your individual modern shower area now, including DIBA-LINE/DISK-LINE with the complementary GRATE COVER 2.0 FRAMELESS, the ECKBERT shower shelves, profiles for floor and wall applications as well as the sloped shower profiles from Blanke.

## ALL COLOURS IN STOCK



Trims

- > BLANKE CUBELINE
- > BLANKE EDGE PROTECTOR TRIM

## ALL COLOURS IN STOCK



Shelves

- > BLANKE ECKBERT

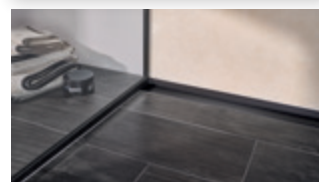
## AVAILABLE ON REQUEST



Drainage systems

- > GRATE COVER 2.0 FRAMELESS

## AVAILABLE ON REQUEST



Slope and shower profiles

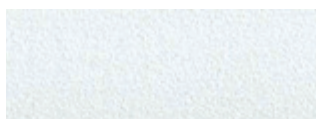
- > BLANKE AQUA-KEIL
- > BLANKE AQUA-KEIL WALL
- > BLANKE AQUA-KEIL GLASS
- > BLANKE AQUA-GLASS
- > BLANKE AQUA-DEKO



XX71A - Sand Tropez



XX61A - Graphit



XX12A - Sugar White



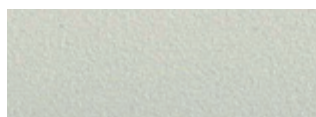
XX62A - Coal Black



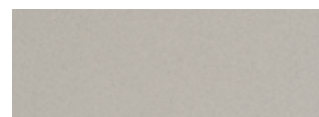
XX91A - Stone Gray



XX83A - Industrial Rust



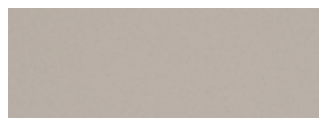
XX11A - Oyster White



XX73A - Moonstone



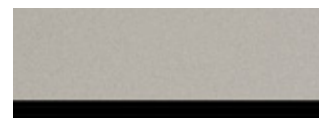
XX92A - Urban Grey



XX74A - Cotton



XX93A - Smoke



XX75A - Greige



XX63A - Midnight Black



## BLANKE BAY-BOX

The built-in frameless niche

## BLANKE BAY-BOX



BLANKE BAY-BOX can be installed both flush with the tiles or projecting from the wall

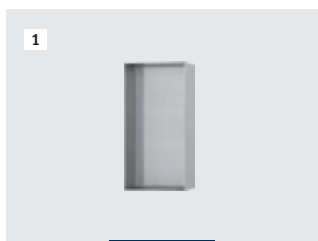


### ADVANTAGES AT A GLANCE

- > Quick and easy to install thanks to the included installation box and sealing set to effortlessly create a joint with the composite sealing
- > Elegant, decorative, space-saving and, most of all, time-saving
- > Made of high-quality brushed stainless steel
- > Depending on the desired finish, it can be installed flush with the tile/natural stone wall covering or projecting from the wall

Sophisticated and elegant, space - and most of all - time-saving. It's easier than ever with the BLANKE BAY-BOX. The concealed and space-saving installation does not require a frame and its clean lines ensure that it fits seamlessly into any room design, providing a convenient home for bathroom items and decorative finishing touches. Made of high-quality brushed stainless steel, the BLANKE BAY-BOX is suitable for both masonry and drywall installation - and its timeless design makes it ideal for tile and natural stone finishes as well as a wide variety of wall coverings.





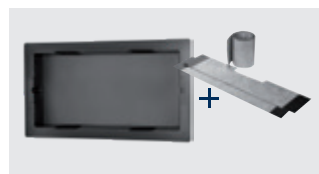
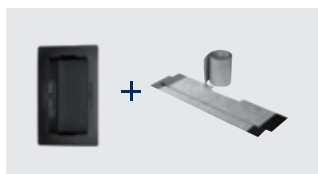
1 PLUS



2 PLUS



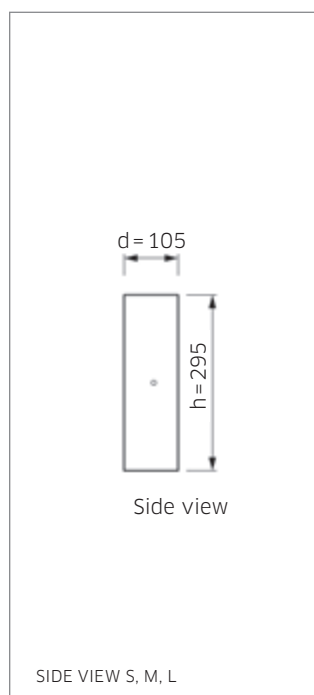
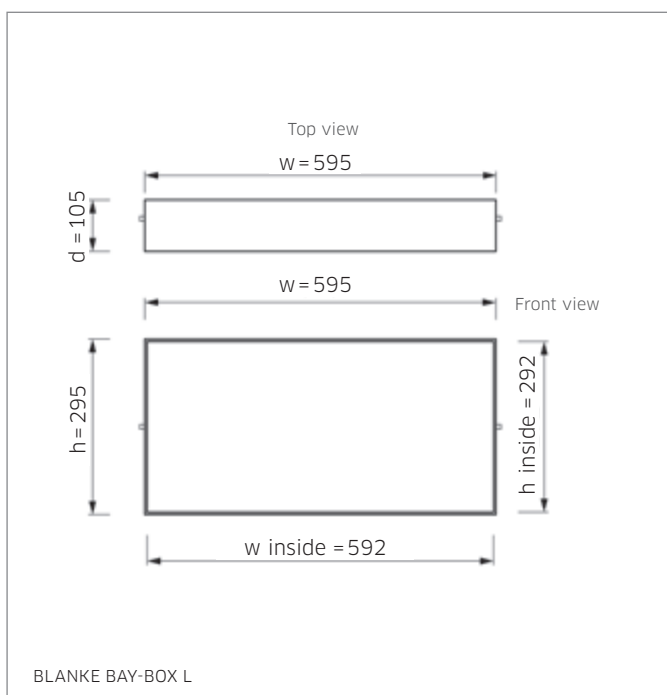
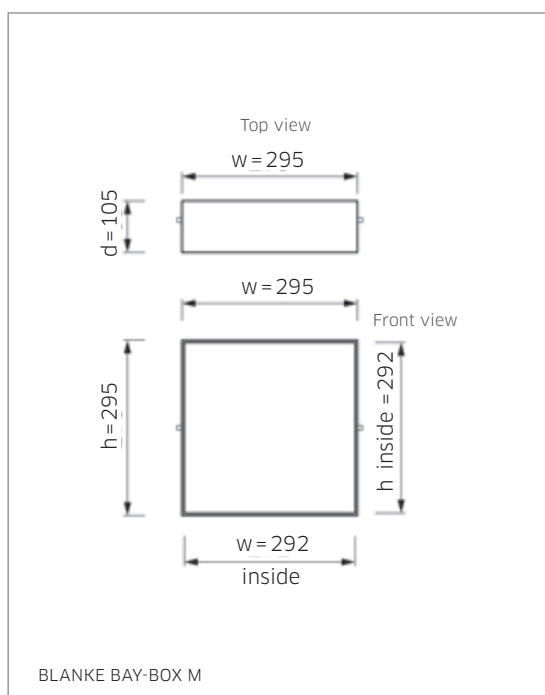
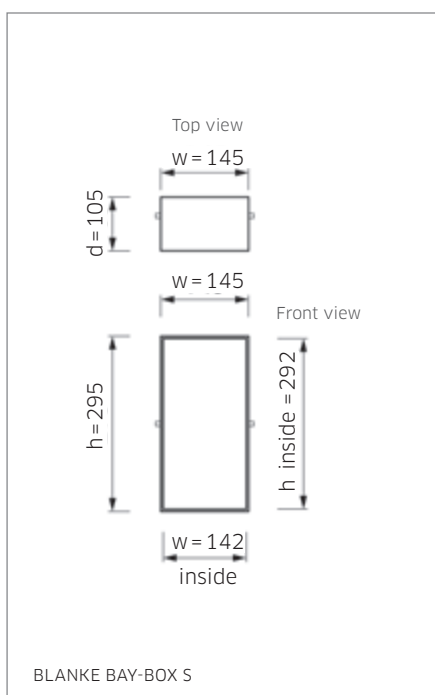
3 PLUS



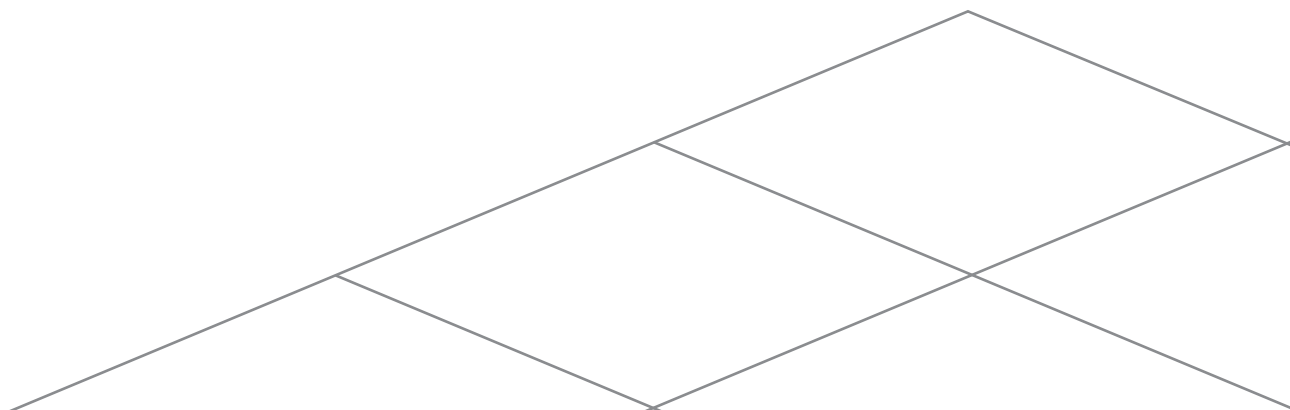
- 1 BLANKE BAY-BOX S  
incl. installation accessories
- 2 BLANKE BAY-BOX M  
incl. installation accessories
- 3 BLANKE BAY-BOX L  
incl. installation accessories

**Installation accessories included in every BLANKE BAY-BOX:**

Installation box to insert the BLANKE BAY-BOX into the wall and a sealing set to create a joint with the composite sealing







Consultation and sales:

**Blanke Systems GmbH & Co. KG**  
Stenglingser Weg 68-70  
58642 Iserlohn / Germany  
T +49 (0)2374 507-0  
F +49 (0)2374 507-4230  
E [info@blanke-systems.de](mailto:info@blanke-systems.de)  
I [www.blanke-systems.com](http://www.blanke-systems.com)

